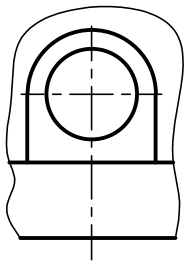
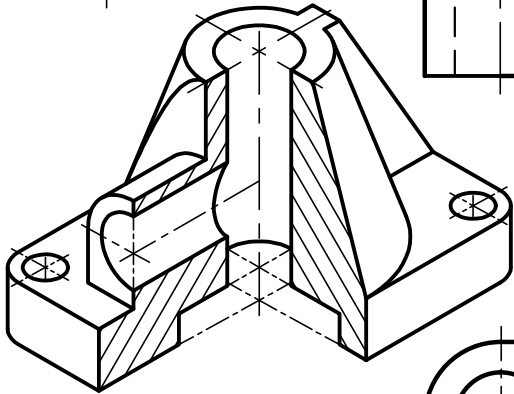
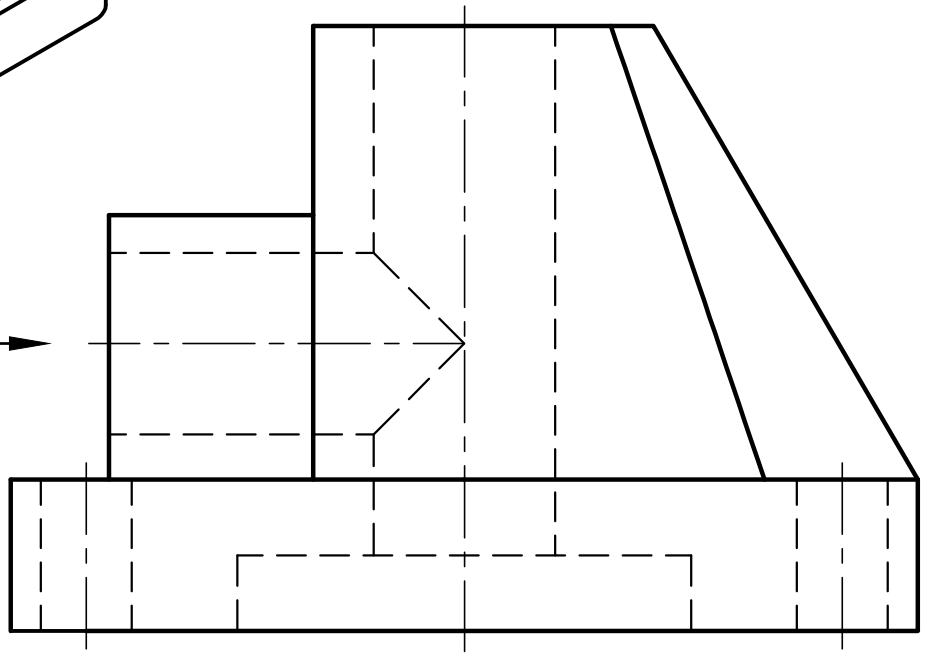


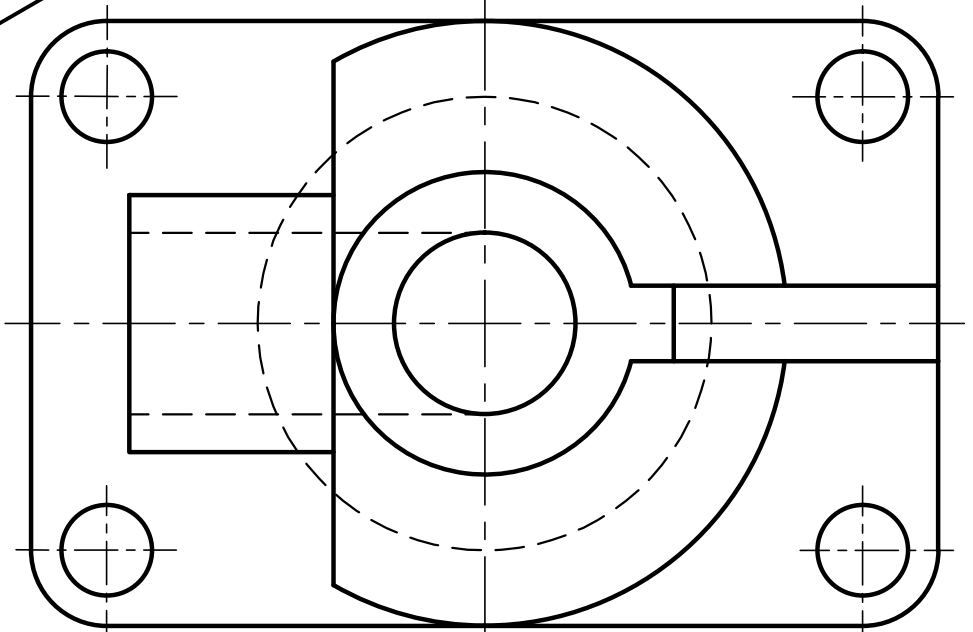
A (1:2)



A



A



A

